



# VLA-521T.G-C-P-F-N-N

3pc-Design Stainless Steel Ball Valve  
"G"-thread-ends acc. ISO228-1



DN8 - DN100

- 3pc design
- For automation application
- Full bore
- Pressure range **PN 63**
- Length acc. to DIN 3202 **M3** / DIN EN 16722
- Threads acc to **ISO228-1**
- Mounting top acc. ISO 5211
- Temperature range -10°C / +200°C

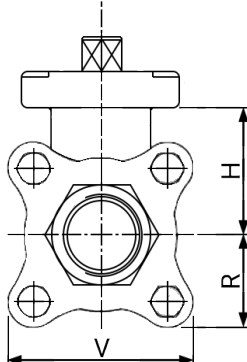
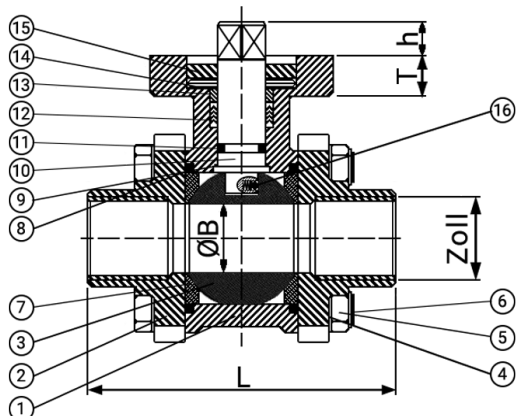
- Anti-Blow-Out stem
- VLA - suitable for **Ex** applications

On request:

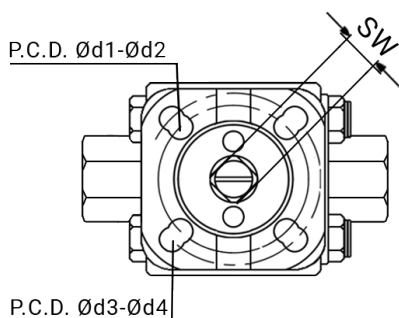
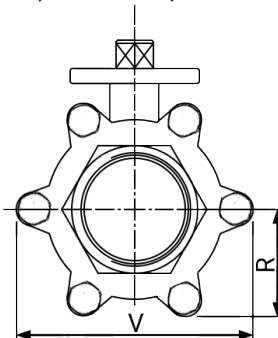
- Different sealing materials
- For steam applications
- Locking device
- Manual operated
- Further options

| Standard   |        |         |
|------------|--------|---------|
| ISO9001    | PED    | TA Luft |
| Antistatic |        |         |
| On request |        |         |
| FDA        | EC1935 |         |

1/4"/DN8 - 2 1/2"/DN65



3"/DN80 - 4"/DN100



|    | Parts list        | Qty.  | Material |
|----|-------------------|-------|----------|
| 1  | Body              | 1     | 1.4408   |
| 2  | Cap               | 2     | 1.4408   |
| 3  | Ball              | 1     | 1.4408   |
| 4  | Washer            | 4-12  | 1.4301   |
| 5  | Nut               | 4-12  | A2-70    |
| 6  | Screw / Bolt      | 4-6   | A2-70    |
| 7  | Ball seat         | 2     | PTFE     |
| 8  | Body seal         | 2     | PTFE     |
| 9  | Thrust washer     | 1     | PTFE     |
| 10 | Stem              | 1     | 1.4401   |
| 11 | O-Ring            | 1     | Viton    |
| 12 | Stem packing      | 1 Set | PTFE     |
| 13 | Gland ring        | 1     | 1.4301   |
| 14 | Disc spring       | 2     | 1.4310   |
| 15 | Gland nut         | 1     | 1.4301   |
| 16 | Antistatic-device | 1     | 1.4401   |

<sup>1</sup> PTFE/PTFE conductive

| Inch   | DN  | L   | ØB  | H   | T  | R    | V    | h    | SW | ØD1 | ØD2 | ØD3 | ØD4 | ISO 5211 | Nm <sup>a</sup> | [kg] |
|--------|-----|-----|-----|-----|----|------|------|------|----|-----|-----|-----|-----|----------|-----------------|------|
| 1/4"   | 8   | 65  | 16  | 31  | 9  | 23,5 | 47   | 9    | 9  | 36  | 6   | 42  | 6   | F03/F04  | 6               | 0,6  |
| 3/8"   | 10  | 65  | 16  | 31  | 9  | 23,5 | 47   | 9    | 9  | 36  | 6   | 42  | 6   | F03/F04  | 6               | 0,6  |
| 1/2"   | 15  | 75  | 16  | 31  | 9  | 23,5 | 47   | 9    | 9  | 36  | 6   | 42  | 6   | F03/F04  | 10              | 0,65 |
| 3/4"   | 20  | 80  | 20  | 35  | 9  | 27   | 53,5 | 9    | 9  | 36  | 6   | 42  | 6   | F03/F04  | 14              | 0,85 |
| 1"     | 25  | 90  | 25  | 42  | 10 | 30   | 60,5 | 12   | 11 | 42  | 6   | 50  | 7   | F04/F05  | 17              | 1,25 |
| 1-1/4" | 32  | 110 | 32  | 48  | 10 | 35,5 | 71   | 12   | 11 | 42  | 6   | 50  | 7   | F04/F05  | 24              | 1,9  |
| 1-1/2" | 40  | 120 | 38  | 55  | 13 | 40,5 | 81,5 | 15,5 | 14 | 50  | 7   | 70  | 9   | F05/F07  | 29              | 2,9  |
| 2"     | 50  | 140 | 50  | 64  | 13 | 50   | 100  | 15,5 | 14 | 50  | 7   | 70  | 9   | F05/F07  | 44              | 4,5  |
| 2-1/2" | 65  | 185 | 65  | 85  | 13 | 53,5 | 127  | 18,5 | 17 | 70  | 9   | 102 | 11  | F07/F10  | 78              | 9,3  |
| 3"     | 80  | 205 | 80  | 97  | 13 | 83,5 | 188  | 18,5 | 17 | 70  | 9   | 102 | 11  | F07/F10  | 112             | 14,4 |
| 4"     | 100 | 240 | 100 | 118 | 16 | 97,5 | 221  | 24   | 22 | -   | -   | 102 | 11  | F10      | 140             | 22,2 |

Dimensions in mm

<sup>a</sup> incl. 30% safety factor  
→ für non-greased media x 1,3  
For more informations, please see the torque table